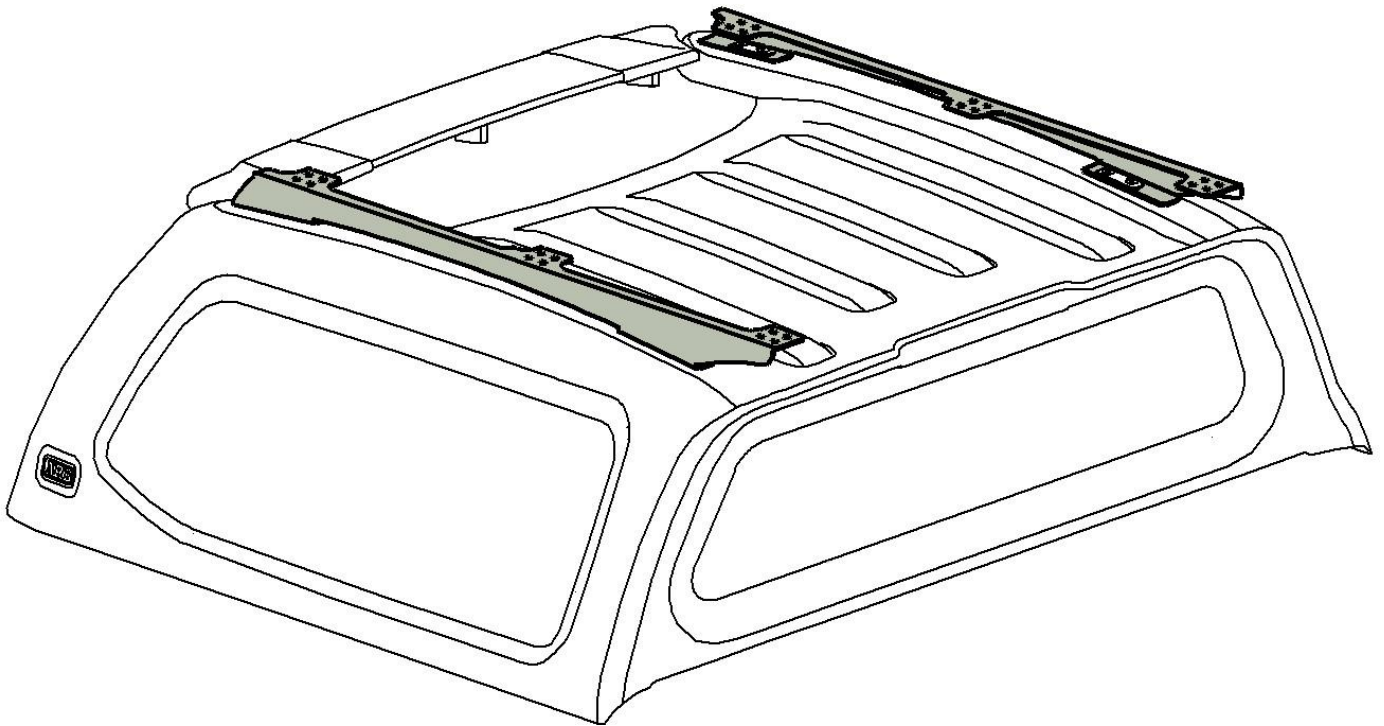




# FITTING INSTRUCTIONS

## Ascent Canopy Blade Brackets For ARB Roof Tray P/N" 179XXXXX

(These are generic instructions that suit each Ascent Canopy application)



**! PLEASE PROVIDE A COPY OF THESE INSTRUCTIONS TO THE CUSTOMER !**

**IMPORTANT:**

- These “Blade Brackets”, are designed for fitment with roof racks and internal frame brackets (sold separately). **INTERNAL FRAME BRACKETS MUST BE FITTED PRIOR TO THE STAGE “SECTION2-PRE-FITTING THE BLADE BRACKETS TO THE RACK”** . Blade brackets are vehicle specific and sold separately, refer to the application chart via you ARB dealer, or call ARB.
- It is advisable to have the canopy rack fitted by an authorised dealer.
- It may be necessary to readjust the Ascent Canopy’s lift up window and door latches after fitment of roof racks due to deflection of the canopy through the tightening of bolts. Please refer to the Ascent Canopy fitting instructions in section entitled “Operational Checks and Adjustments for Windows and Doors” for latching adjustment steps. Call ARB for a copy if required.
- Fitment can be undertaken with one person, however two people are required to lift the rack into place and bolt it to the roof of the canopy.

**CARE OF YOUR CANOPY:**

Please refer to the “Owner’s Manual Supplement” to be given to the purchaser on installation, this is contained within the separate additional kit fitting instructions for the “Internal Frames”.

**OWNERS MANUAL SUPPLEMENTS:**

Please fill out the owner’s manual supplement in the “Internal Frame” instructions and provide this to the customer. If these are unavailable please reprint (Instruction no. 3789209)

**RECORDS OF FITMENT:**

Please complete the last page Fitment Check List of the “Internal Frame” instructions and retain these records at the dealer.

**WARRANTY:**

Please refer to ARB “Warranty against defects” booklet contained in the hardware kit of the “Internal Frames” or contact your dealer . A copy of this booklet should be given to the customer.

**SAFETY:**

The ARB Ascent Canopy Blade Brackets and ARB Roof Tray must never be fitted to another product. Only use with the specific Ascent Canopy Internal Frames.

## **TOOL LIST FOR FITMENT:**

<ul style="list-style-type: none"><li>• Torque Wrench 0-25Nm</li><li>• Tape Measure</li><li>• Sharp scissors</li><li>• T40, Torx Drive screwdriver and bits for socket drives and screw drivers</li><li>• Cleaning cloths / rags</li></ul>	<ul style="list-style-type: none"><li>• Silicon Caulking gun</li><li>• <u>Neutral cure</u> Non Acetic Silicon (such as Polyurethane)</li><li>• Wax and grease remover</li><li>• Scriber</li></ul>
--	---

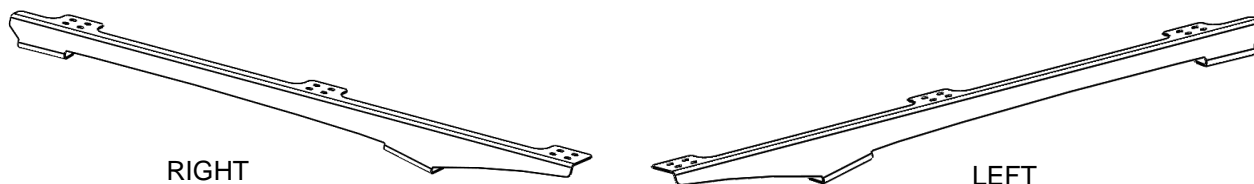
## **FITTING TO THE CANOPY IS UNDERTAKEN IN 4 STAGES:**

1. Preparing the frame brackets, seals and fitting the roof mount spacers..
2. Pre-fitting the Blade brackets to rack.
3. Fitting to the Internal frame brackets.
4. Clean, and check list sign off for record keeping and Owner's Manual Supplement.

**!! IMPORTANT !! other than specifically specified in this instruction**

**REQUIRED SCREW TORQUES:    M6=9Nm                      M8=22Nm**

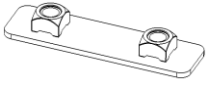
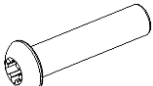
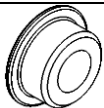

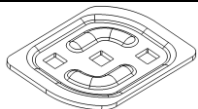
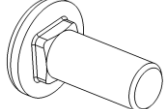
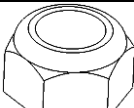
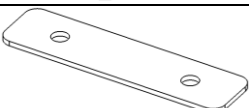
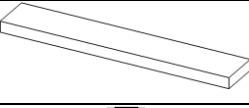

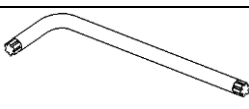
**Screw torques must be adhered to avoid warranty issues and should be checked at vehicle service intervals.**

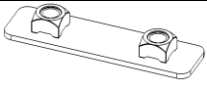
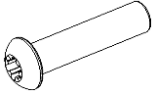
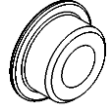
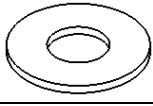
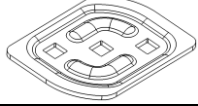
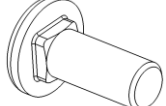
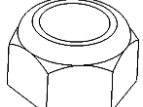
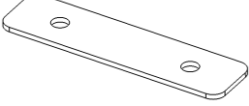





## **THE BOX FITTING KIT CONTAINS:**

### **BLADE BRACKETS:**

<b>VEHICLE APPLICATION:</b>	<b>BRACKET "RIGHT"</b>	<b>QTY</b>	<b>BRACKET "LEFT"</b>	<b>QTY</b>
Ford Ranger PX 2011+	3752550R	1	3752550L	1
Mazda BT50 2011+	3752550R	1	3752550L	1
GM Colorado 2012+	3752551R	1	3752551L	1
Isuzu DMax 2012+	3752551R	1	3752551L	1
Nissan Navara D23 2015-2020	3752552R	1	3752552L	1
Toyota Hilux 2015+	3752553R	1	3752553L	1
Toyota Hilux J-DECK 2015+	3752556R	1	3752556L	1
Volkswagen Amarok 2011+	3752555R	1	3752555L	1
Mercedes X-Class 2018+	3752557R	1	3752557L	1
Mitsubishi Triton 2015+	3752554R	1	3752554L	1
Isuzu DMax 2020+ & Mazda BT50 2020+	3750553R	1	3750553L	1
Nissan NP300 2021+	3753018R	1	3753018L	1

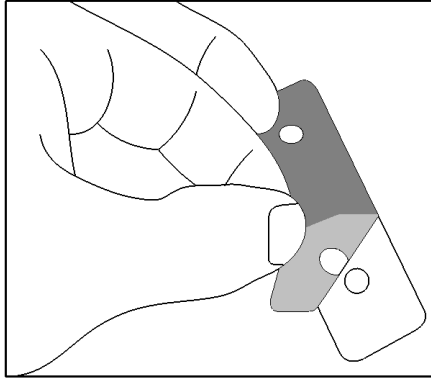
FITTING KIT 6177448	Part No	Picture	Qty	Description
	668AQ013		4	RACK NUT PLATE
	6151881		8	M8x35 TORX HEAD
	6250056		8	ROOF SPACER
	4581303		12	M8x25.4x3 FLAT WASHER
	3195184		6	STUD PLATE
	6151921		12	M8x20 COACH HEAD BOLT
	6151212		12	M8 NYLOC NUT
	665015		4	RACK NUT PLATE SEAL
	665509		4	BLADE BRACKET SEAL
	4581085		8	M8x19x1.2 FLAT WASHER
	6151934		1	T40 TORX ALLEN KEY
	3789969		1	FITTING INSTRUCTIONS BLADE ASCENT

FITTING KIT 6177449 for Mitsubishi Triton 2015+	Part No	Picture	Qty	Description
	668AQ013		2	RACK NUT PLATE
	6151881		8	M8x35 TORX HEAD
	6250056		8	ROOF SPACER
	4581303		16	M8x25.4x3 FLAT WASHER
	3195184		6	STUD PLATE
	6151921		12	M8x20 COACH HEAD BOLT
	6151212		16	M8 NYLOC NUT
	665015		2	RACK NUT PLATE SEAL
	665509		4	BLADE BRACKET SEAL
	4581085		8	M8x19x1.2 FLAT WASHER
	6151934		1	T40 TORX ALLEN KEY
	3789969		1	FITTING INSTRUCTIONS BLADE ASCENT

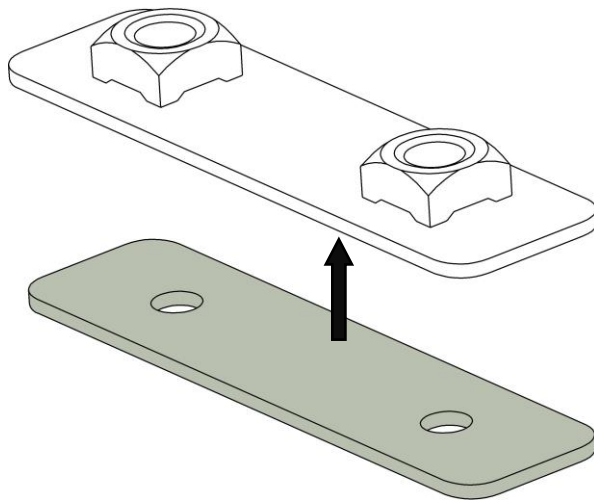
**BEFORE STARTING, READ ALL STEPS OF THE INSTRUCTIONS  
CAREFULLY AND CHECK ALL PARTS**

**COMPLETE INTERNAL FRAME FITTING TO THE SECTION ENTITLED  
“FITTING THE BLADE BRACKETS/FOOT PACKS”**

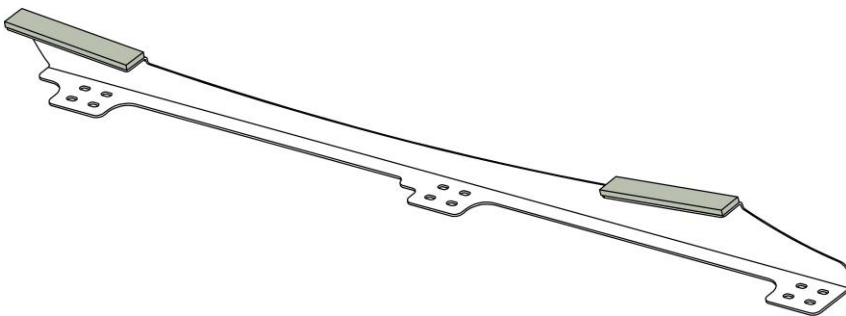
**SECTION 1: PREPARING THE FRAME BRACKETS & SEALS:**

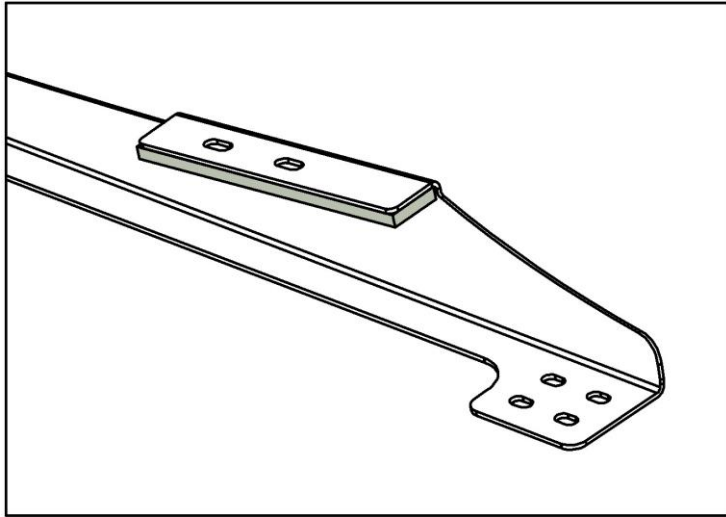


1.1) Remove the adhesive backing paper from the rack nut plate seal and apply to the rack nut plate. Repeat this step for all rack nut plates.



1.2) Cut to length the blade bracket seals as shown for both blade brackets.

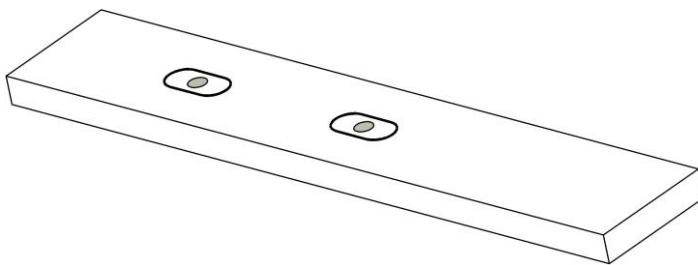
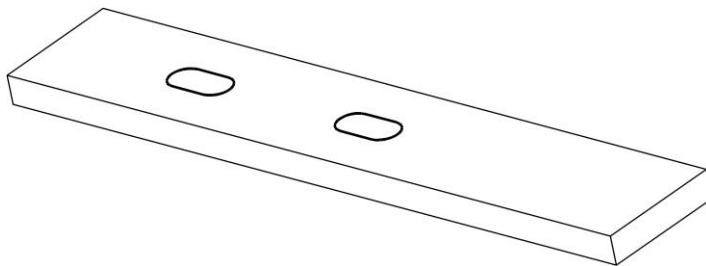




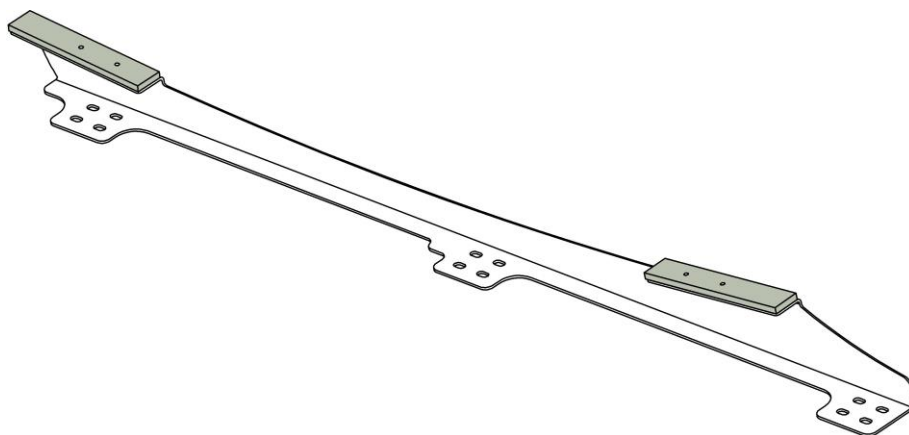
1.3) Place the blade bracket seal under the base pad with the backing paper facing up and position the seal level with the end of the pad and central to the top surface.

1.4) Mark the positions of the slots using a suitable marker

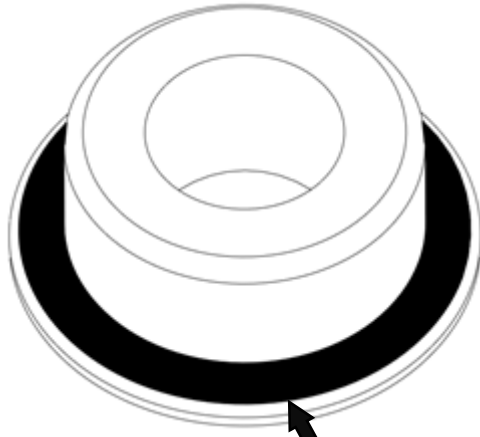
1.5) Repeat this step for all blade bracket seals



1.6) Pierce the centre of each slot using a sharp pointed instrument, e.g. scriber, drill, etc

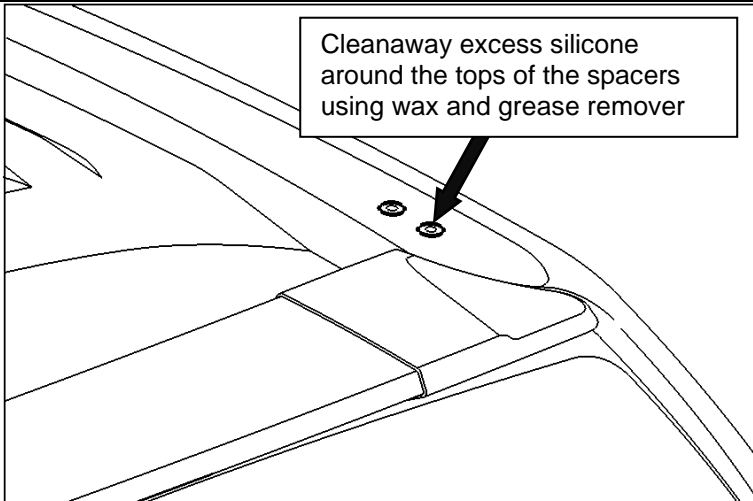


1.7) Remove the adhesive backing paper and apply one blade bracket seal to the base pads on both blade brackets.



Apply neutral cure non-acetic silicon around the tops of the spacers

- 1.8) Go the roof of the canopy shell.
- 1.9) Apply neutral cure non acetic silicon to the stepped edge of the 8 x Spacer roof mount



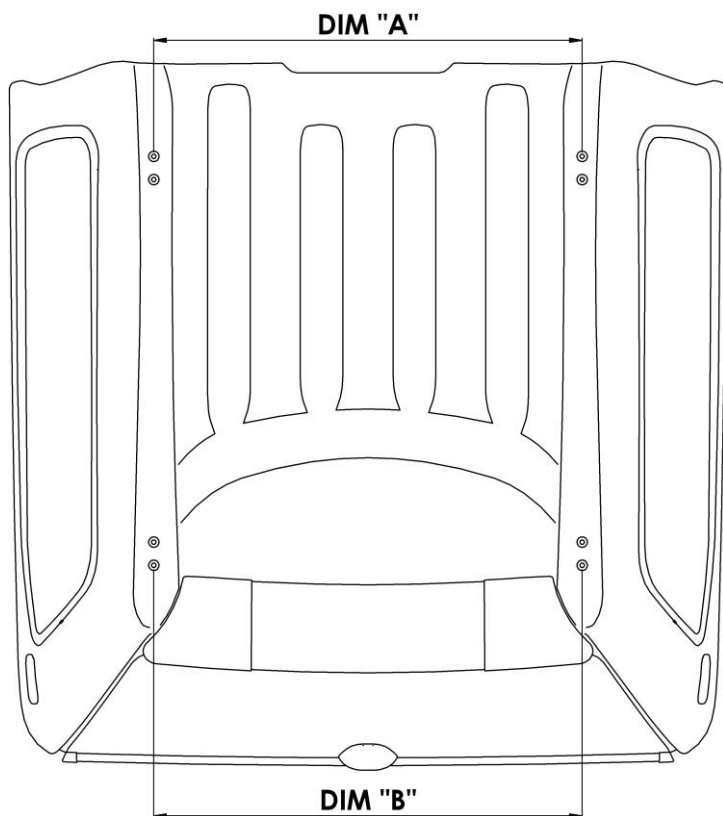
Cleanaway excess silicone around the tops of the spacers using wax and grease remover

- 1.10) Fit the spacers into the 8 holes in the roof of the canopy from the outside.
- 1.11) Clean away excess silicone using wax and grease remover



## SECTION 2: FITTING BLADES TO RACK

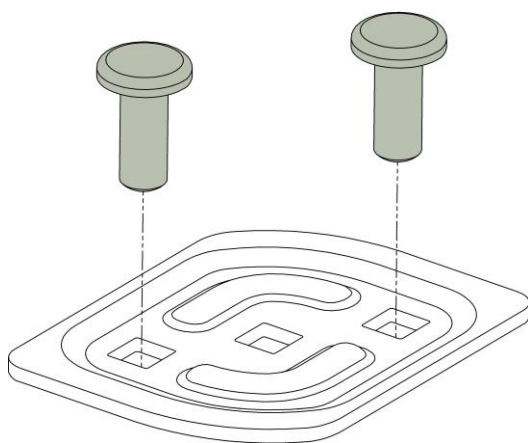
### FRONT OF CANOPY



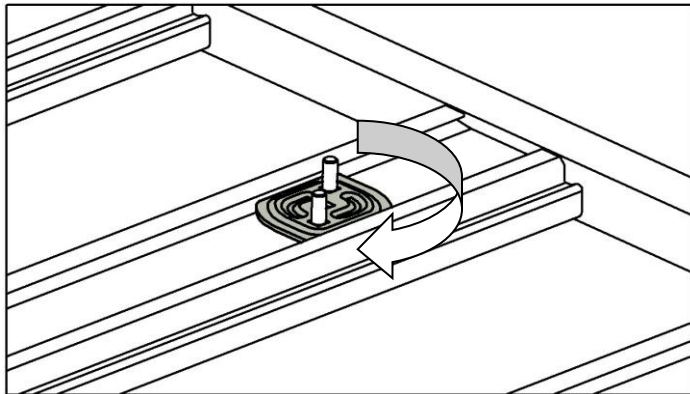
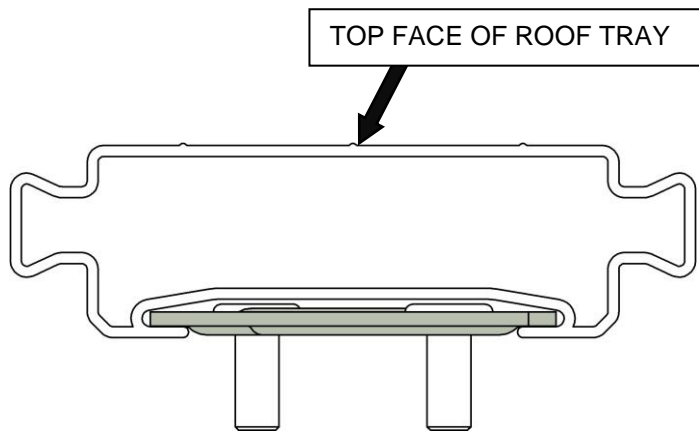
- 2.1) Clean the roof of the canopy.
- 2.2) Measure the centre distances of the spacers that were previously installed and record the dimensions.

DIM "A" =

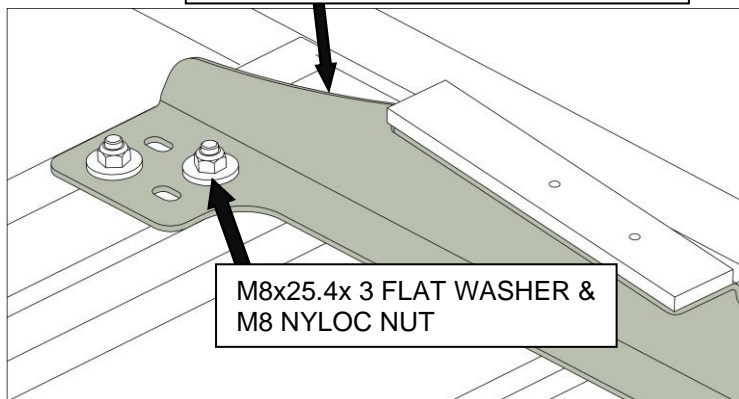
DIM "B" =



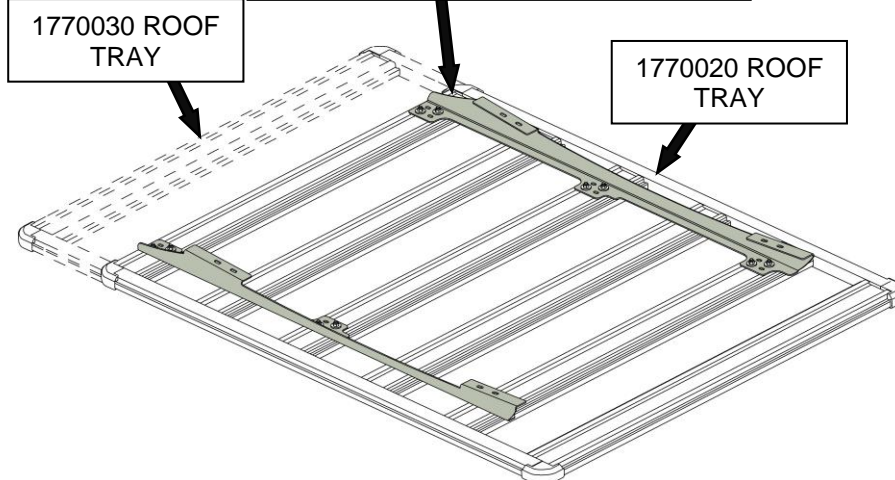
- 2.3) Insert 2, M8 x 20 Coach head bolts into each of the Stud Plates as shown



FRONT OF BLADE (CURVED EDGE)



FRONT OF BLADE (CURVED EDGE)

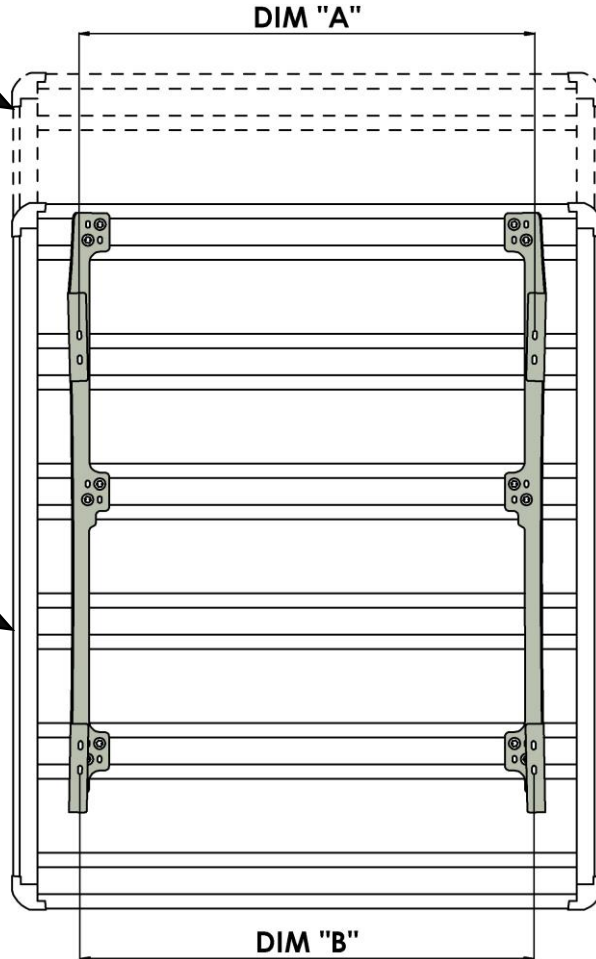


- 2.4) Place the Roof Tray on a clean flat surface, provide protection to the top face of roof tray to avoid marking of surfaces
- 2.5) Insert the previously assembled stud plates into the roof tray channels as shown
- 2.6) Assembly the roof blades to the roof tray using M8x 25.4x 3 flat washers and M8 nyloc nuts. Do not fully tighten M8 nyloc nuts at this stage.

## FRONT OF ROOF TRAY

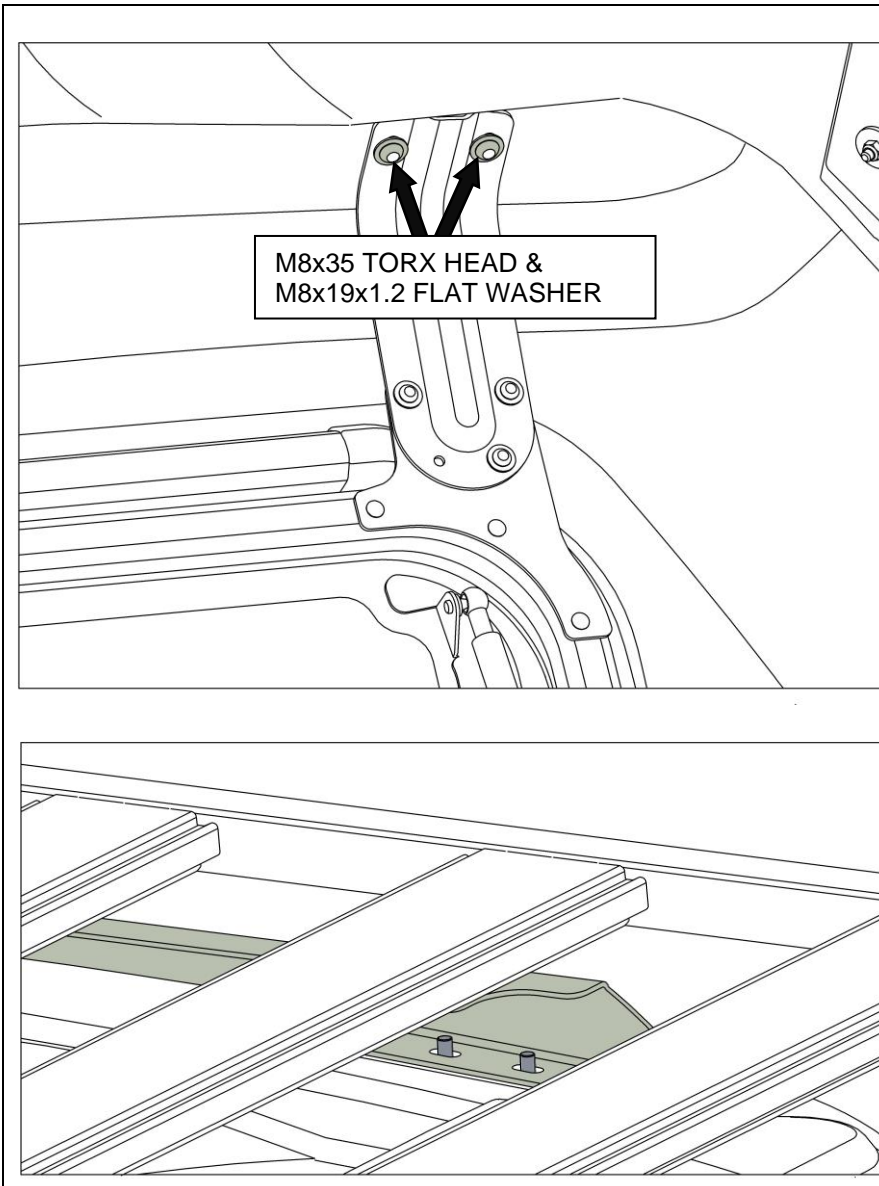
1770030 ROOF TRAY

1770020 ROOF TRAY

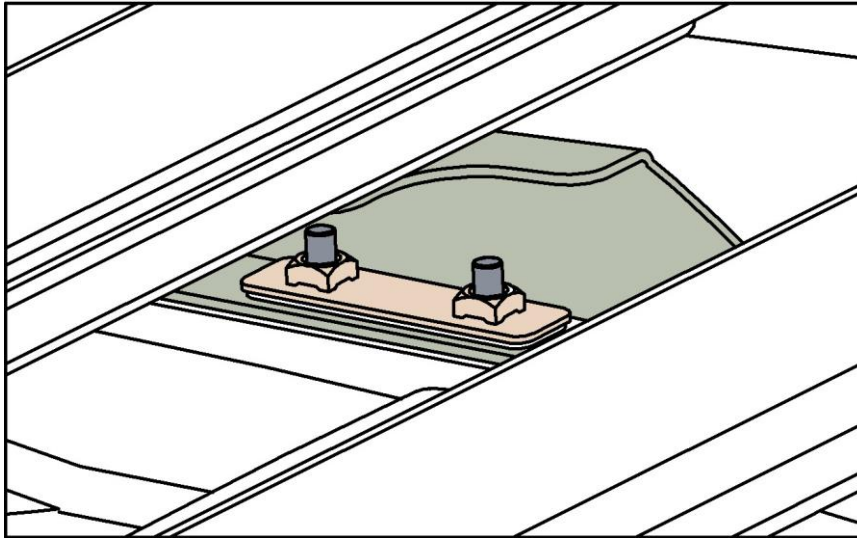
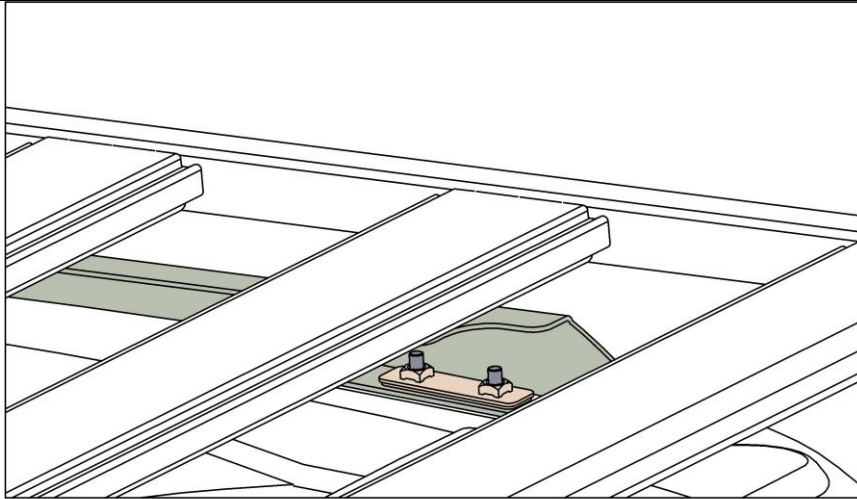


- 2.7) Using the measurements obtained in step 2.2 setup the blade brackets as shown. Ensure that the blade brackets are symmetric about the centre of the roof tray.
- 2.8) Once measurements are correct tighten all 12 M8 nyloc nuts to ensure blades cannot move freely. Do not torque fasteners at this stage.

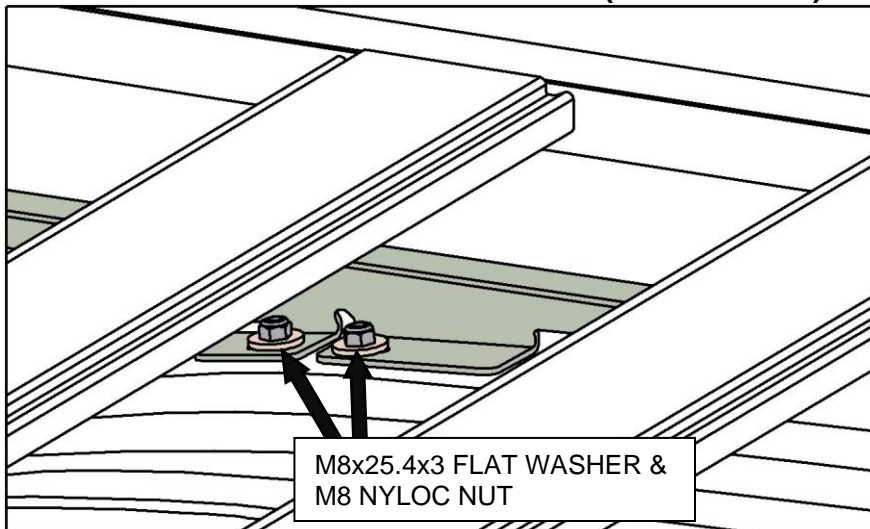
### SECTION 3: INSTALLING ROOF TRAY TO INTERNAL FRAME BRACKETS



- 3.1) Clean the roof of canopy
- 3.2) With the aid of another person lift the roof tray onto the canopy roof and align the slots in the blade brackets with the holes in the roof spacers. Never slide the roof tray on the canopy roof as this will cause damage to the blade bracket seals
- 3.3) Working from inside canopy fit a M8x35 Torx Head fastener and M8x19x1.2 washer through each of the internal frame bracket holes. If fasteners do not go through blade bracket feet adjust blade brackets accordingly.
- 3.4) Once blade brackets are in correct location torque the 12 M8 nylocs securing the blade brackets to roof tray to 22Nm. If there is insufficient clearance for torque wrench to fit LIFT rack upwards to allow for sufficient clearance to access.



**FRONT OF TRITON BLADES ONLY (RHS SHOWN)**



- 3.5) With the aid of another person fit the blade bracket nut plates in the four location to secure the blade brackets, canopy shell and internal frame brackets together. NOTE if fitting to Mitsubishi Triton 2015+ use 4 X M8x25.4x3 flat washer & M8 nyloc nuts on each of the front mounts.
- 3.6) Using a T40 Torx drive torque all 8 fasteners to 22Nm
- 3.7) Perform a water leak test around mount points
- 3.8) Fill in the last page of the " Internal Frame" fitting instructions " Check List" and retain records at dealer
- 3.9) Fill in the second last page of "Internal Frame" fitting instructions " Owner's manual supplement" and give a copy to the customer
- 3.10) Place a copy of these fitting instructions in the vehicles owner's manual

## Completed Roof Tray and Blade Bracket installation

